

ACCESSORIES

CONVERSION BRACKET (A)



CONVERSION BRACKET (B)



CONVERSION BRACKET (C)



HOLD OPEN ARM



SLIDE ARM



ARM EXTENDED LINK



FUSIBLE LINK



COVER

NHN[®] 300 SERIES

The NHN door closer offers a comprehensive range of hydraulic door closers to suit various applications. We maintain our long standing worldwide reputation for high quality and reliability.

No. 300 series door closer is inexpensive solution model to suit the most standard doors.

FEATURES

- Available in power EN1 and variable power EN2-4 by position.
- Backcheck function optional.
- Easy installation and adjustment.
- Comprehensive range of accessories.
- Non-handed.



TOWER WEST 12FL, UMEDA SKY BUILDING, 1-1-30,
OYODO-NAKA, KITA-KU, OSAKA 531-0076 JAPAN

Phone: 81-(0)6-6454-9721

Facsimile: 81-(0)6-6454-9726

E-Mail: info@kenwa.co.jp <http://www.kenwa.co.jp>

<http://www.micomautodoor.com>

E.&O.E.

All sizes, photo's and drawings are subject to change without prior notice.
Copyright © 2010 KENWA CO.,LTD. OSAKA JAPAN All Rights Reserved.

DISTRIBUTED BY

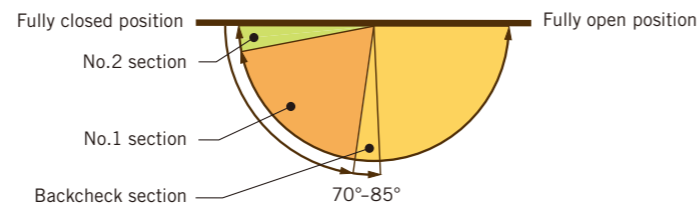
SELECTION CHART

Power size (EN)	Door width (mm)	Door weight (kg)	300 SERIES			
			REGULAR	HOLD OPEN	BACKCHECK	SLIDE ARM
1	800	35	301	301S	301BC	-
2	850	40	324	324S	324BC	324GL
3	950	60				-
4	1100	80				-

FUNCTION

Back-check function
(optional)

This function is built into the door closer body and checks the outward swing of the door.
Most suited where the opening door might hit a wall i.e. in a corridor, or where it could injure someone if opened too quickly. It is recommended for use on externally opening doors in windy environments.
The backcheck function works between 70° & 85°.
The backcheck strength can be adjusted by turning the backcheck valve screw located on the end of the closer body.
IT SHOULD NOT BE REGARDED AS A DOOR STOP !

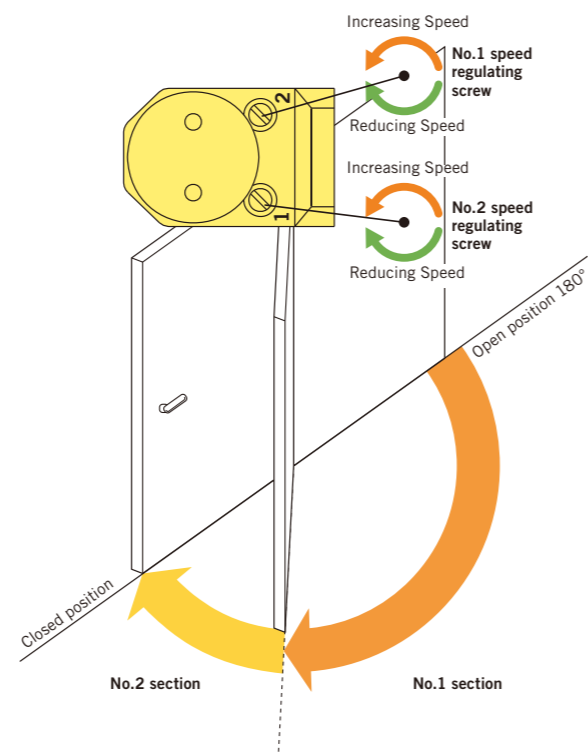


ADJUSTMENT

Force adjustment

Power size (EN)	Door width (mm)	Door weight (kg)	A	Shoe
1	800	35	90	
2	850	40	90	
3	950	60	90	
			110	
4	1100	80	110	

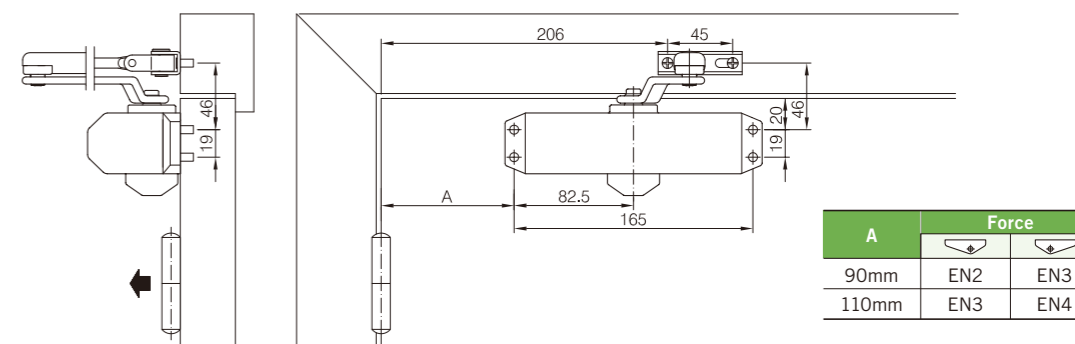
Closing speed adjustment



INSTALLATION

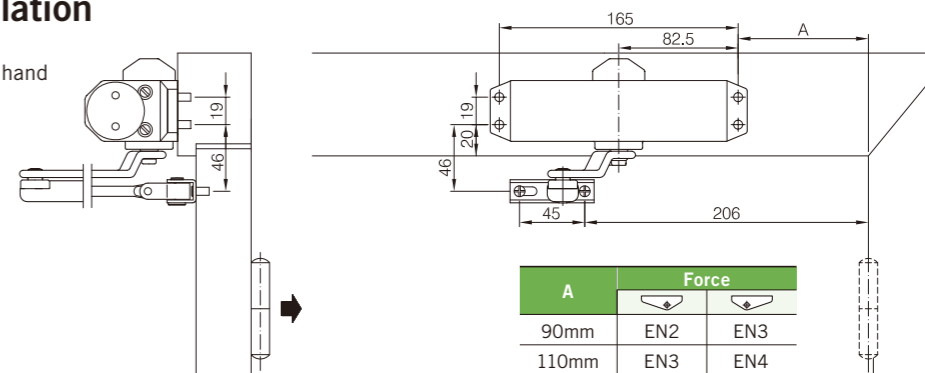
Standard installation

This illustration shows right hand configuration (DIN L).



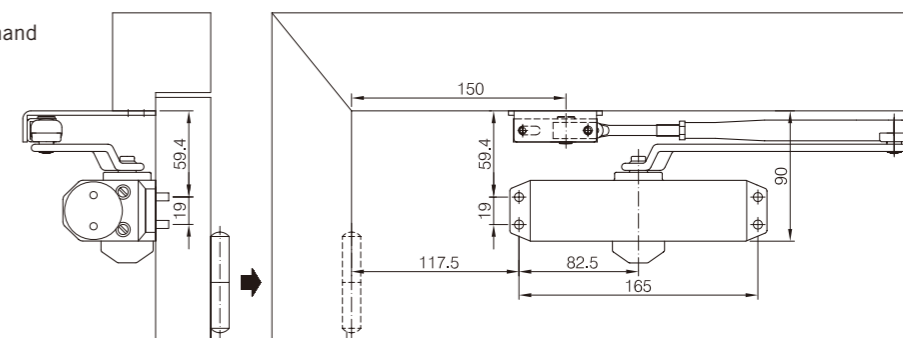
Top jamb installation

This illustration shows left hand configuration (DIN R).



Parallel arm installation

This illustration shows right hand configuration (DIN L).



Slide arm installation

This illustration shows right hand configuration (DIN L).

