

ACCESSORIES

PARALLEL PLATE



CONVERSION BRACKET (A)



CONVERSION BRACKET (B)



CONVERSION BRACKET (C)



L-BRACKET



HOLD OPEN ARM



SLIDE ARM



ARM EXTENDED LINK



FUSIBLE LINK



DROP PLATE



MOUNTING PLATE



ANGLE BRACKET



COVER



NH^N 3500 SERIES



The NHN door closer offers a comprehensive range of hydraulic, power adjustable door closer to suite various applications. We maintain our long standing world wide reputation for high quality and reliability.

FEATURES

- Adjustable power size EN 3-7
- Backcheck functions available
- Easy installation and adjustment
- Comprehensive range of accessories
- Slimline body
- Non-handed

SELECTION CHART

Power size (EN)	Door width (mm)	Door weight (kg)	3500 SERIES			
			REGULAR	HOLD OPEN	BACKCHECK	SLIDE ARM
3	950	60	3536	3536S	3536BC	3536GL
4	1100	80				
5	1250	100				
6	1400	120				
7	1600	140				-



TOWER WEST 12FL, UMEDA SKY BUILDING, 1-1-30, OYODO-NAKA, KITA-KU, OSAKA 531-0076 JAPAN
 Phone: 81-(0)6-6454-9721
 Facsimile: 81-(0)6-6454-9726
 E-Mail: info@kenwa.co.jp http://www.kenwa.co.jp
 http://www.micomautodoor.com

E.&O.E.
 All sizes, photo's and drawings are subject to change without prior notice.
 Copyright © 2010 KENWA CO.,LTD. OSAKA JAPAN All Rights Reserved.

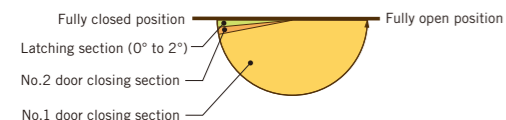
DISTRIBUTED BY



FUNCTION

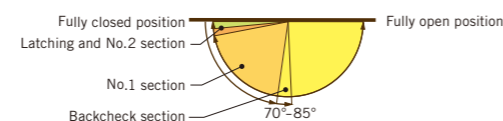
Latching function (standard)

This function accelerates the door in the final 2° of closing, in order to overcome any resistance such as seals, latch bolts etc. This provides a secure and complete closure of the door.



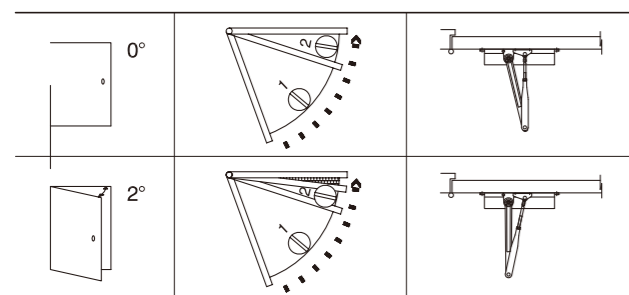
Back-check function (optional)

This function is built into the door closer body and checks the outward swing of the door. Most suited where the opening door might hit a wall i.e. in a corridor, or where it could injure someone if opened too quickly. It is recommended for use on externally opening doors in windy environments. The backcheck function works between 70° & 85°. The backcheck strength can be adjusted by turning the backcheck valve screw located on the end of the closer body. IT SHOULD NOT BE REGARDED AS A DOOR STOP !



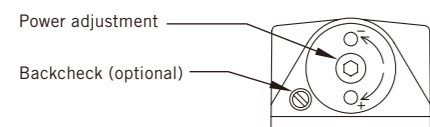
ADJUSTMENT

Latching angle adjustment

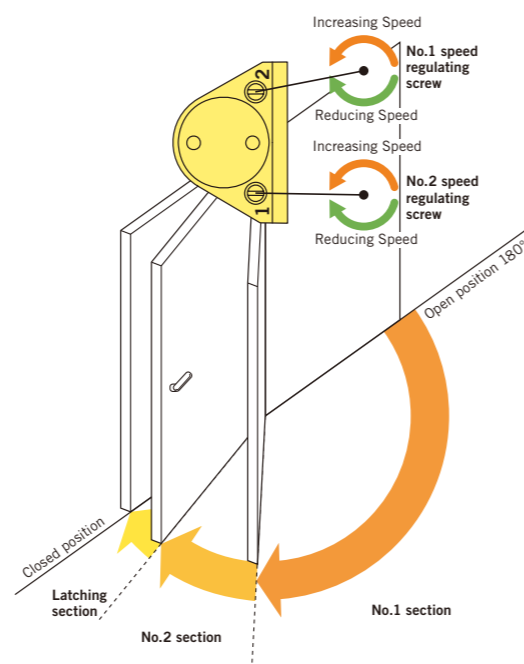


Spring power adjustment

Turn the 'Power Adjusting Screw' the required number of clockwise or anti-clockwise turns according to the door width as indicated in the chart. In adverse weather conditions, increase the number of turns as required.



Closing speed adjustment



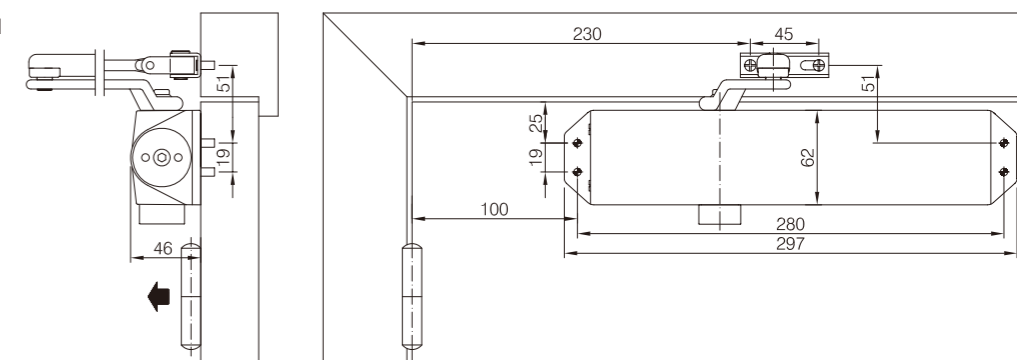
Power size (EN)	Door width (mm)	Door weight (kg)	Shoe	No. of turns	Direction	Max. opening angle
3	950	60		6	-	180°
4	1100	80		6	-	180°
5	1250	100		4	-	180°
6	1400	120		0	*	180°
7	1600	140		5	+	120°

*Pre-set size at factory

INSTALLATION

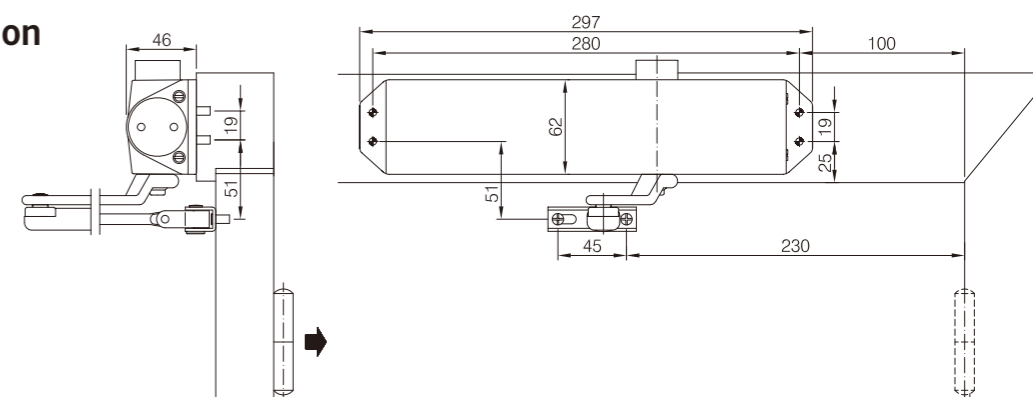
Standard installation

This illustrations shows right hand configuration (DIN L).



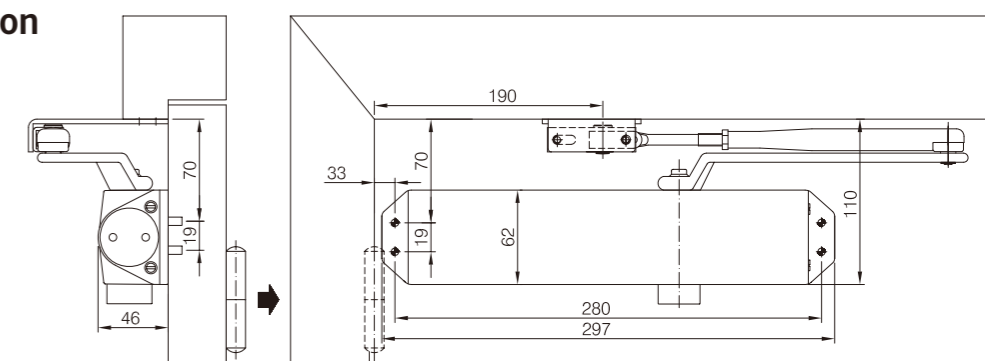
Top jamb installation

This illustration shows left hand configuration (DIN R).



Parallel arm installation

This illustration shows right hand configuration (DIN L).



Slide arm installation

This illustration shows right hand configuration (DIN L).

