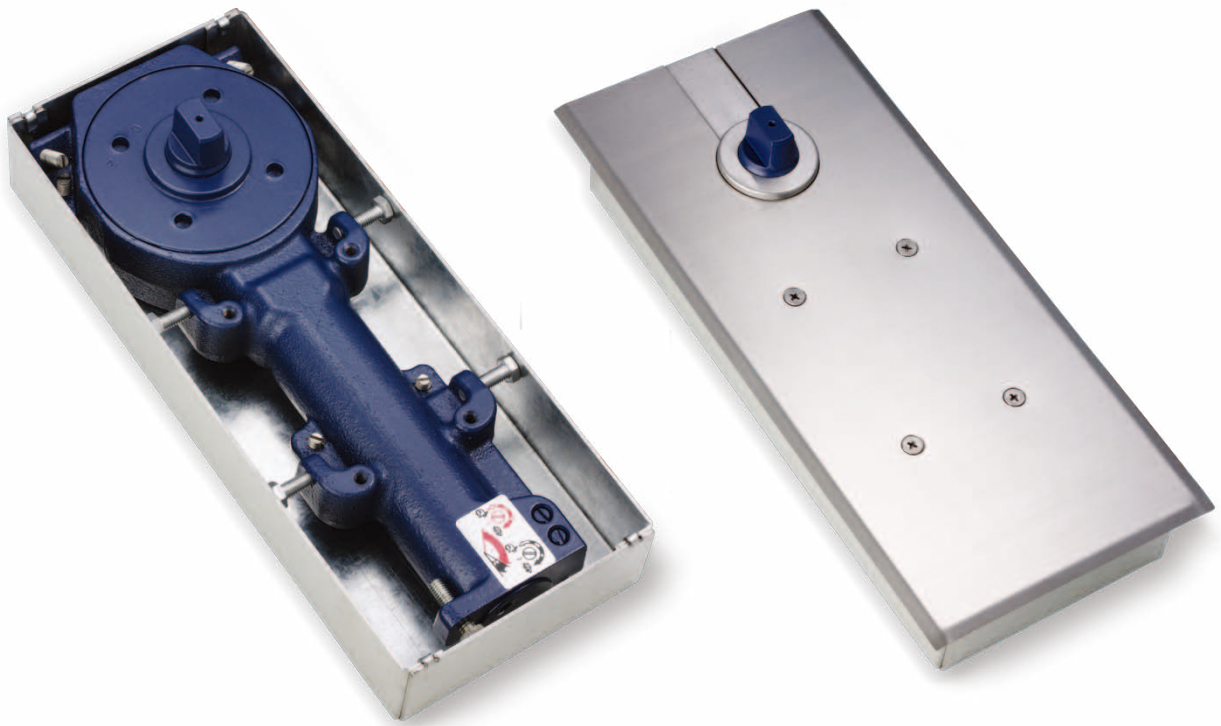


# NHN<sup>®</sup> 650 SERIES



## DATA AND FEATURES

Variable closing force	Closing force EN1154+A1	3 / 4
Standard doors	≤ 950mm ≤ 100kg	653
	≤ 1100mm ≤ 150kg	654
Body dimensions (mm)	Length	276
	Width	108
	Thick	40mm
Arm	Standard	●
	Offset arm	○

Cam-action		●
Dual door opening angle		130°
Sweep speed adjustable		●
Latching speed adjustable		●
Hold-open	without hold-open	○
	at 90° hold-open	●
	at 105° hold-open	○
Non-handed		●

● = yes    ○ = option

## ACCESSORIES

### STANDARD STRAP, TOP AND BOTTOM PIVOT (DMA)



### STANDARD STRAP, TOP AND BOTTOM PIVOT (NSA)



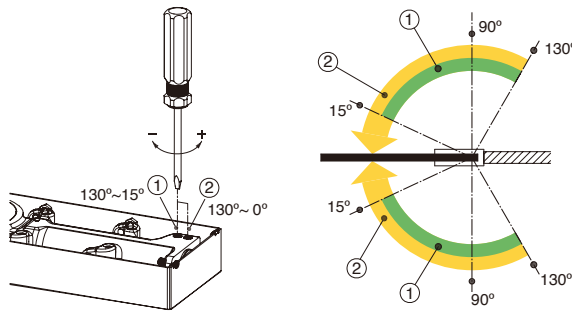
### OFFSET PIVOT



**ADJUSTMENT**

**Adjust the closing speed**

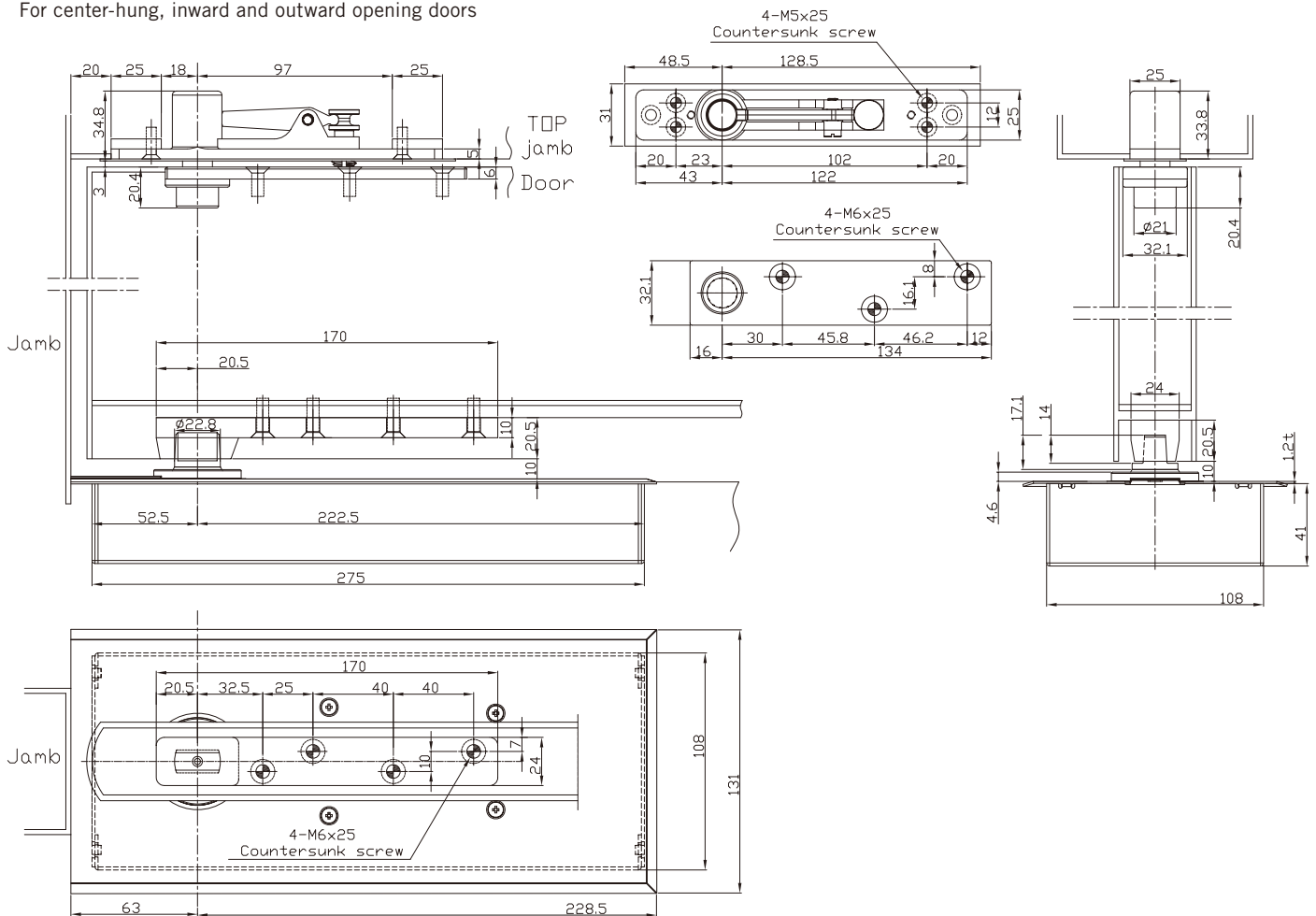
Adjust the closing speed to the required.  
Do not turn anticlockwise more than one turn to avoid damage and oil leakage.



**INSTALLATION**

**Floor hinges**

For center-hung, inward and outward opening doors



**KENWA CO., LTD.** **NN<sup>®</sup>**  
Closing Solutions

TOWER WEST 12FL, UMEDA SKY BUILDING, 1-1-30,  
OYODO-NAKA, KITA-KU, OSAKA 531-0076 JAPAN

Phone: 81-(0)6-6454-9721  
Facsimile: 81-(0)6-6454-9726

E-Mail: [info@kenwa.co.jp](mailto:info@kenwa.co.jp) <http://www.kenwa.co.jp>  
<http://www.micomautodoor.com>

E.&O.E.  
All sizes, photo's and drawings are subject to change without prior notice.  
Copyright © 2010 KENWA CO.,LTD. OSAKA JAPAN All Rights Reserved.

DISTRIBUTED BY

