

NHN[®] 73



DATA AND FEATURES

- NHN 73 Hydraulic door closer
- The hardened steel rack and pinion mechanism is housed in the alloy aluminium body
- Reversible for both left and right hand doors
- Universal applications for standard, top jamb, or parallel arm installations (optional parallel bracket)

- Suitable for both metal and wooden doors
- Adjustable closing speed from 180°-15° by turning adjustable valve 1
- Adjustable latching speed from 15°-0° by turning adjustable valve 2
- Economical, competitive prices

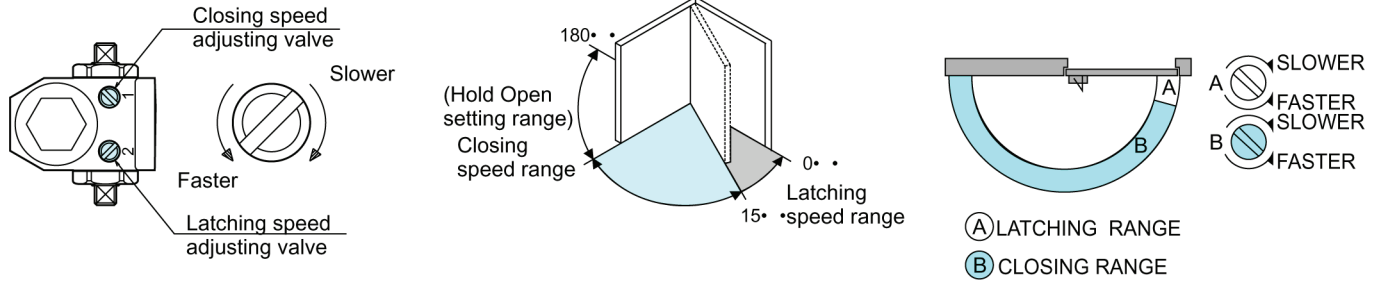
Internal door	W=950mm / up to 65kg	
Variable closing force EN1154+A1	3	
For external door - width	Swing out	900mm
	Swing in	800mm
Dual door opening angle	110°	

Sweep speed adjustable	●
Latching speed adjustable	●
Hold open	X
Non-handed	●

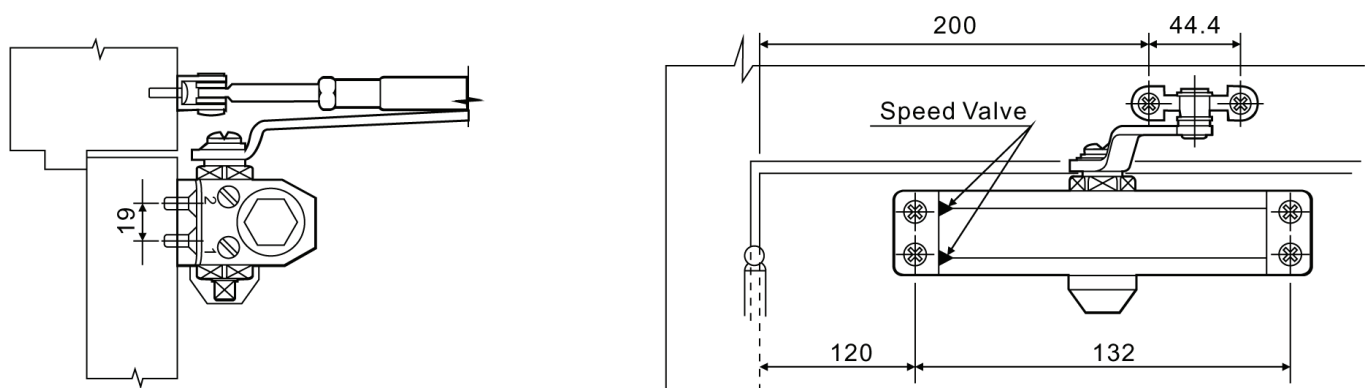
● = yes ○ = option

ADJUSTMENT

Adjust the closing speed



INSTALLATION



Size no.	Standard top jamb installation			Min Kg/f	Paralell installation			Door weight Kg	
	Interior door width (mm)	Exterior door width (mm)			Interior door width (mm)	Exterior door width (mm)			Min Kg/f
		Swing out	Swing in			Swing out	Swing in		
3	950	900	800	2.75	900	800	700	2.3	65



KENWA CO., LTD. NH[®]
Closing Solutions

TOWER WEST 12FL, UMEDA SKY BUILDING, 1-1-30,
OYODO-NAKA, KITA-KU, OSAKA 531-0076 JAPAN

Phone: 81-(0)6-6454-9721

Facsimile: 81-(0)6-6454-9726

E-Mail: info@kenwa.co.jp <http://www.kenwa.co.jp>

<http://www.micomautodoor.com>

E.&O.E.

All sizes, photo's and drawings are subject to change without prior notice.

Copyright © 2010 KENWA CO.,LTD. OSAKA JAPAN All Rights Reserved.

DISTRIBUTED BY

