

NHN[®] SN-103

Fitting Dorma Spindle



DATA AND FEATURES

- NHN SN-103 Floor Spring
- Non-handed centre hung or offset with accessories
- Independent regulating valves for closing (120°-15°) and Latching (15°-0°) speeds
- Accommodates door weights up to 110kg measuring up to 1050mm wide

- Light duty model available
- Easy door adjustment 90° hold open or non hold open available
- Accessories available for patch fitting
- Equivalent fitting with Dorma standard spindle

Standard door		950~1050mm/70~110kg
Variable closing force EN1154+A1		3
Body dimensions (mm)	Length	265
	Width	102
	Depth	51
Arm	Standard	●
	Offset arm	x
	Centre hung	●

Cam-action	●	
Dual door opening angle	120°	
Sweep speed adjustable	●	
Latching speed adjustable	●	
Hold-open	without hold open	○
	at 90° hold open	●
Non-handed	●	

● = yes ○ = option

ACCESSORIES

TOP PIVOT (DMA)



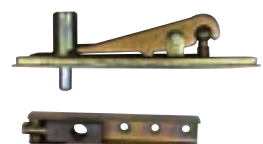
BOTTOM PIVOT (NSA)



STANDARD STRAP



IRON TOP PIVOT



ADJUSTMENT

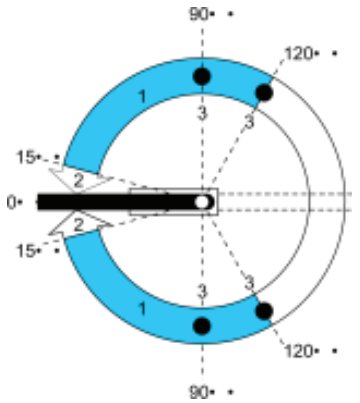
Door control

Two independant valves control the closing and latching speeds. Closing action starts with the door fully open and ends at 15° from the closed position. At this point the latching valve takes over thus allowing the door to close at the desired speed.

Hold open

With the hold open feature (optional extra) the door can be held open at angles of either 90° or 120°.

1. Closing speed adjustment range approx 120° to 15°
2. Latching speed adjustment range approx 15° to 0°
3. Hold open approx 90°

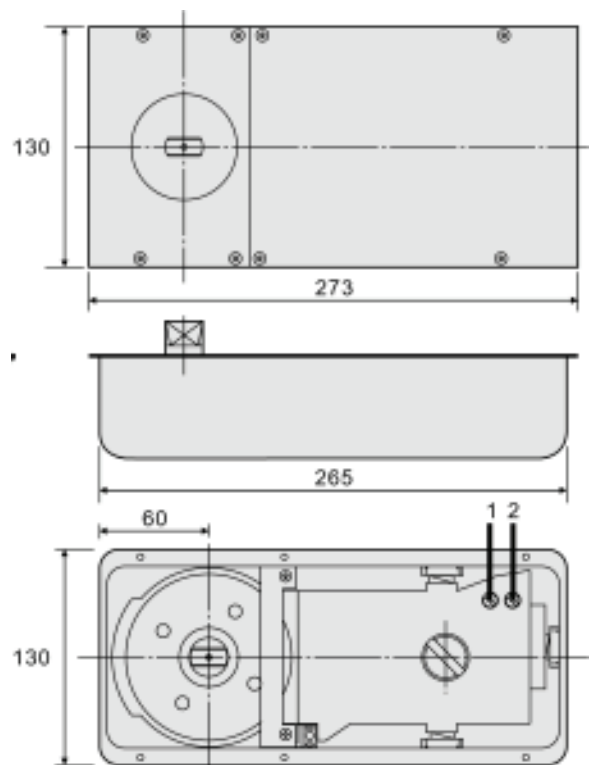
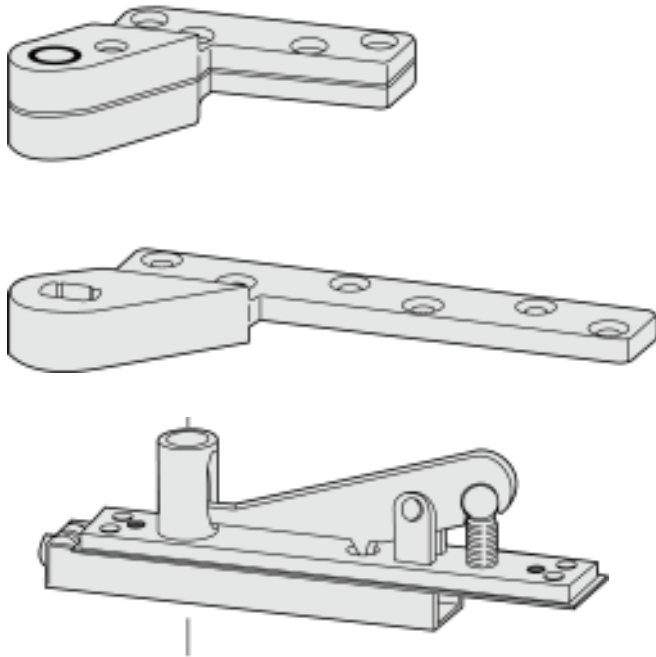


INSTALLATION

Floor hinges

For centre-hung, inward and outward opening doors

ACCESSORIES



1. Closing speed valve
2. Latching speed valve



KENWA CO., LTD. NH[®]
Closing Solutions

TOWER WEST 12FL, UMEDA SKY BUILDING, 1-1-30,
OYODO-NAKA, KITA-KU, OSAKA 531-0076 JAPAN

Phone: 81-(0)6-6454-9721

Facsimile: 81-(0)6-6454-9726

E-Mail: info@kenwa.co.jp <http://www.kenwa.co.jp>

<http://www.micomautodoor.com>

E.&O.E.

All sizes, photo's and drawings are subject to change without prior notice.
Copyright © 2010 KENWA CO.,LTD. OSAKA JAPAN All Rights Reserved.

DISTRIBUTED BY

