

# NHN<sup>®</sup> SN-303

Fitting Dorma BTS-84



## DATA AND FEATURES

- NHN SN-303 is a double action floor spring which has been specially developed for the aluminium and toughened glass door industries
- Specially designed for the movement patterns of double action doors
- Installation depth of just 40mm is a particular advantage since only a shallow pocket is required
- Wide range of functions: back-check, mechanical hold open (optional)
- Max door weight up to 180kg
- Changeable spindle inset available to suit field conditions
- Equivalent fitting with Dorma BTS-84

Model		SN-303	SN-304	SN-305
Variable closing force EN1154+A1		<b>3</b>	<b>4</b>	<b>5</b>
Door	Weight (kg)	70~110	110~130	150~180
	Size (mm)	950~1050	1050~1250	1050~1300
Body dimensions (mm)	Length	<b>306</b>		
	Width	<b>108</b>		
	Depth	<b>40</b>		
Arm	Standard	●		
	Offset arm	X		
	Centre hung	●		

Cam-action	●	
Dual door opening angle	<b>130°</b>	
Sweep speed adjustable	●	
Latching speed adjustable	●	
Hold-open	without hold open	○
	at 90° hold open	●
Non-handed	●	

● = yes    ○ = option

## ACCESSORIES

### TOP PIVOT (DMA)



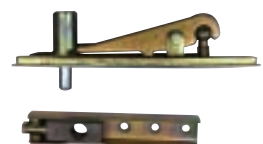
### BOTTOM PIVOT (NSA)



### STANDARD STRAP



### IRON TOP PIVOT



**ADJUSTMENT**

**Delayed Action**

The integral delayed action feature serves to restrict door closing for a predetermined time so that disabled people, mothers with prams and people carrying bulky items are able to pass through the door without difficulty.

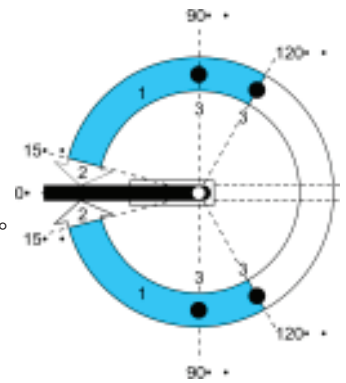
**Back-check**

The integral mechanism back-check helps to prevent damage to the door and wall in the event of the doors being opened with excessive force.

**Hold open**

With the hold-open feature (optional) the door can be held at angles of either 90° or 105°.

1. Closing speed adjustment range approx 130°-20°
2. Latching speed adjustable
3. Back-check approx 85°-105°
4. Postive hold open at 90°-105°

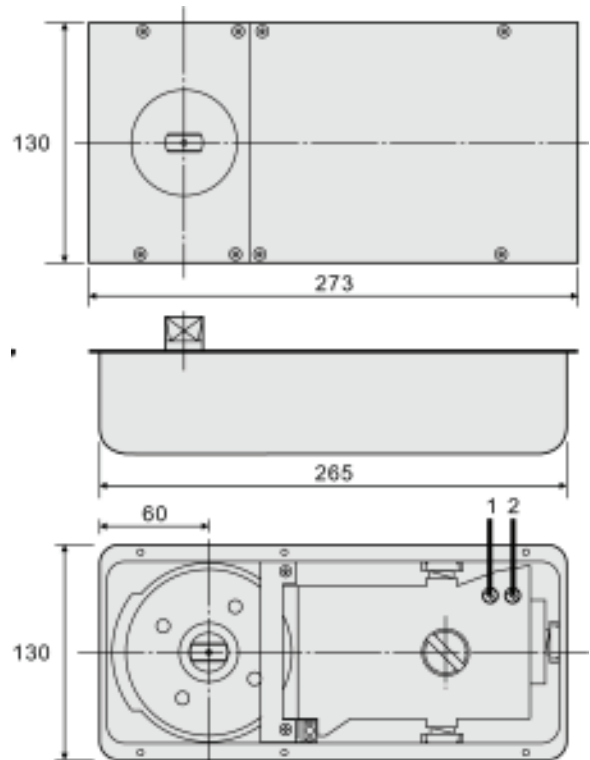
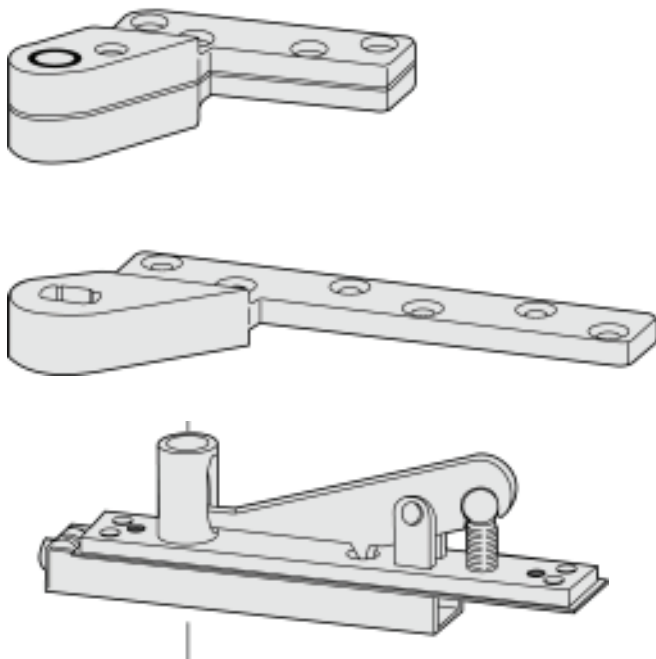


**INSTALLATION**

**Floor hinges**

For centre-hung, inward and outward opening doors

**ACCESSORIES**



1. Swing speed
2. Latching speed



**KENWA CO., LTD.** NH<sup>®</sup>  
Closing Solutions

TOWER WEST 12FL, UMEDA SKY BUILDING, 1-1-30,  
OYODO-NAKA, KITA-KU, OSAKA 531-0076 JAPAN

Phone: 81-(0)6-6454-9721

Facsimile: 81-(0)6-6454-9726

E-Mail: [info@kenwa.co.jp](mailto:info@kenwa.co.jp) <http://www.kenwa.co.jp>

<http://www.micomautodoor.com>

E.&O.E.

All sizes, photo's and drawings are subject to change without prior notice.

Copyright © 2010 KENWA CO.,LTD. OSAKA JAPAN All Rights Reserved.

DISTRIBUTED BY

