

NHN[®] SN-403

Fitting Dorma BTS-65



DATA AND FEATURES

- NHN SN-403 is a universal non-handed floor spring for single and double action
- Maximum comfort and safety provided by multifunctional unit
- Fitting spindle inserts available to suit site conditions.

- Concealed installation for clean un-cluttered lines.
- Proven, robust unit for doors upto 150kg
- Spindle dimensions can be made to customer requirements
- Equivalent fitting with Dorma BTS-65

Standard door	1050~1300mm/70~110kg	
Variable closing force EN1154+A1		3
Body dimensions (mm)	Length	292
	Width	78
	Depth	50
Arm	Standard	●
	Offset arm	X
	Centre hung	X

Cam-action	●	
Dual door opening angle	105°	
Sweep speed adjustable	●	
Latching speed adjustable	●	
Hold-open	without hold open	○ (N-403)
	at 90° hold open	●
Non-handed	●	

● = yes ○ = option

ACCESSORIES

TOP PIVOT (DMA)



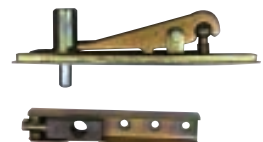
BOTTOM PIVOT (NSA)



STANDARD STRAP



IRON TOP PIVOT



ADJUSTMENT

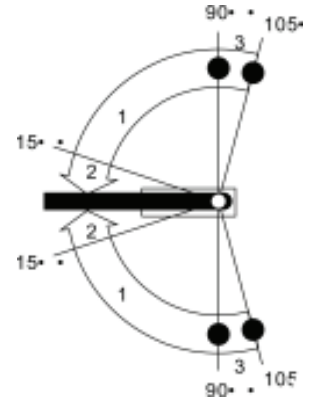
Closing speed adjustment

The floor spring has two closing speed valves which are independently adjustable.

Hold open

With this hold open feature (optional) the door can be held at angles of either 90° or 105°

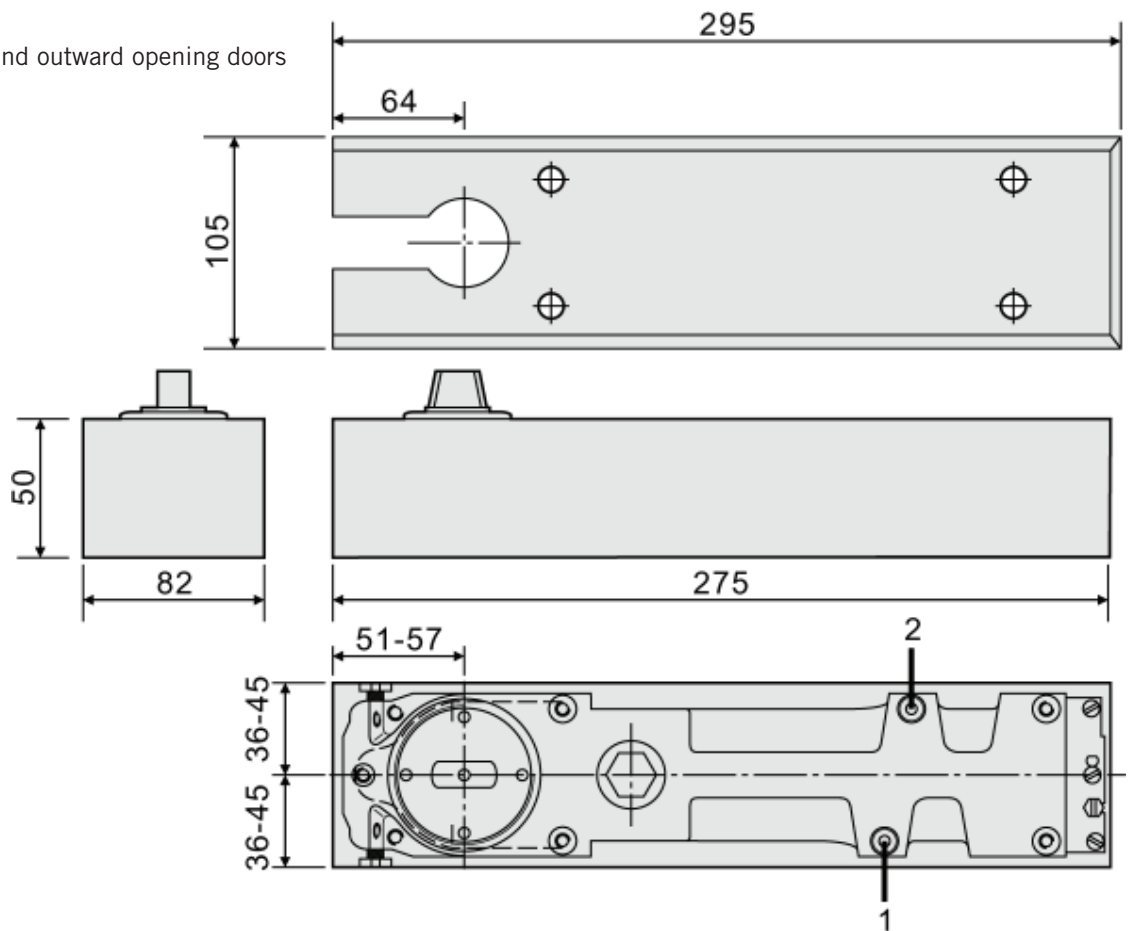
1. Fully controlled closing with adjustable speed. (approx 105°-15°)
2. Fully controlled latching with adjustable speed. (approx 105°-15°)
3. Positive hold-open at 90°-105°



INSTALLATION

Floor hinges

For centre-hung, inward and outward opening doors



1. Closing speed valve
2. Latching speed valve



KENWA CO., LTD. NH[®]
Closing Solutions

TOWER WEST 12FL, UMEDA SKY BUILDING, 1-1-30,
OYODO-NAKA, KITA-KU, OSAKA 531-0076 JAPAN

Phone: 81-(0)6-6454-9721

Facsimile: 81-(0)6-6454-9726

E-Mail: info@kenwa.co.jp <http://www.kenwa.co.jp>

<http://www.micomautodoor.com>

E.&O.E.

All sizes, photo's and drawings are subject to change without prior notice.

Copyright © 2010 KENWA CO.,LTD. OSAKA JAPAN All Rights Reserved.

DISTRIBUTED BY

