

NHN[®] SN-603

Fitting Dorma BTS-80



DATA AND FEATURES

- NHN SN- 603 offers one model with four optional spring strengths for every application
- Multiple functions as standard for reduced inventory
- Non-handed for single or double action door
- Changeable spindle inserts available to suit field conditions
- Proven door weight up to 450kg
- Height mechanical efficiency compliance
- Hold open angle available for 90° and 105° or no hold open
- Mechanical back-check
- Closing speed variable by valve adjustment
- Max door opening angle 180°

Standard door	1200~1400mm/450kg	
Body dimensions (mm)	Length	341
	Width	78
	Depth	60
Arm	Standard	●
	Offset arm	X
	Centre hung	X

Cam-action	●	
Dual door opening angle	180°	
Sweep speed adjustable	●	
Latching speed adjustable	●	
Hold-open	without hold open	○ (N-603)
	at 90° hold open	●
Non-handed	●	

● = yes ○ = option

ACCESSORIES

TOP PIVOT (DMA)



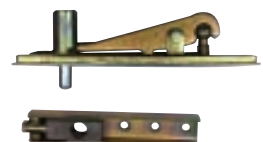
BOTTOM PIVOT (NSA)



STANDARD STRAP



IRON TOP PIVOT



ADJUSTMENT

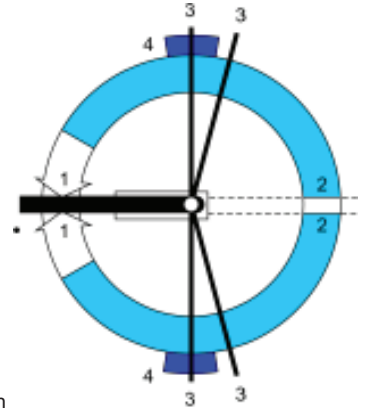
Hold Open

Hold open available for 90° -105° or no hold open. Without hold open the max door opening can be 180°

Back check

The back check help to prevent damage of the door and all when the door is opened with excessive force by people or wind.

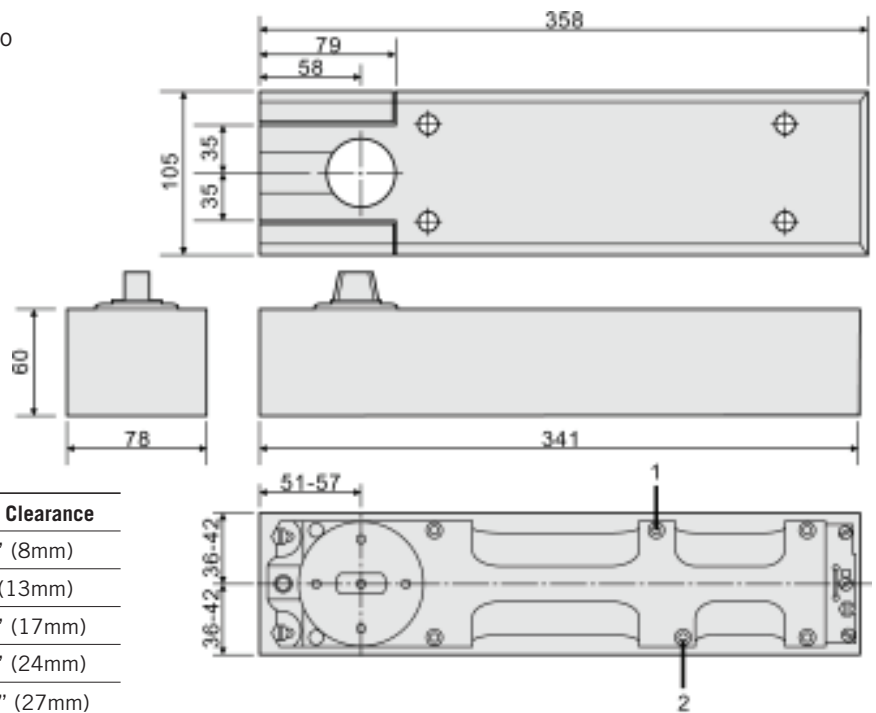
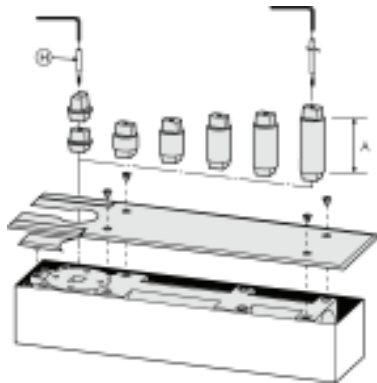
1. Closing speed adjustable between 15°-0°
2. Closing speed adjustable between 180°-15° (no-hold open options)
3. Available from 90°-105° or no hold open. Without hold open the max door hold opening is 180°
4. Mechanical back check from 80° approx.



INSTALLATION

Floor hinges

For centre-hung, inward and outward opening doo



Spindle No.	Collar (A) Height	Door (B) Clearance
2040-AT-001A	*1/8" (3mm)	5/16" (8mm)
2040-AT-001A050	5/16" (8mm)	1/2" (13mm)
2040-AT-001A100	1/2" (13mm)	11/16" (17mm)
2040-AT-001A150	3/4" (18mm)	15/16" (24mm)
2040-AT-001A200	7/8" (23mm)	1-1/16" (27mm)
2040-AT-001A250	1-1/8" (28mm)	1-5/16" (33mm)
2040-AT-001A300	1-5/16" (33mm)	1-7/16" (37mm)

*Standard spindle supplied with closer

1. Closing speed adjustable 180°-15°
2. Latching speed adjustable 15°-0°



KENWA CO., LTD. NH[®]
Closing Solutions

TOWER WEST 12FL, UMEDA SKY BUILDING, 1-1-30, OYODO-NAKA, KITA-KU, OSAKA 531-0076 JAPAN

Phone: 81-(0)6-6454-9721

Facsimile: 81-(0)6-6454-9726

E-Mail: info@kenwa.co.jp <http://www.kenwa.co.jp>

<http://www.micomautodoor.com>

E.&O.E.

All sizes, photo's and drawings are subject to change without prior notice.

Copyright © 2010 KENWA CO.,LTD. OSAKA JAPAN All Rights Reserved.

DISTRIBUTED BY

