

SCA Series

Semi Automatic Sliding Door System
(Hydraulic)



Hold Open Function

Holding the door open at the required position by hold open bracket. This position can easily be adjusted with the use of a screwdriver.

Quiet operation

With reinforced resin rollers and aluminium rail, noise is eliminated, making SCA series sliding door closer the perfect application for hospitals, libraries, schools and care establishments. Anywhere that a quiet environment must be maintained.

Double & Telescopic Application

As SCA sliding door system uses a belt drive - extension of the SCA series can easily move to Double and Telescopic Sliding Door systems. With max door weight for Double doors at 40kgx2 and Telescopic max weight up to 95kgx2 (single)

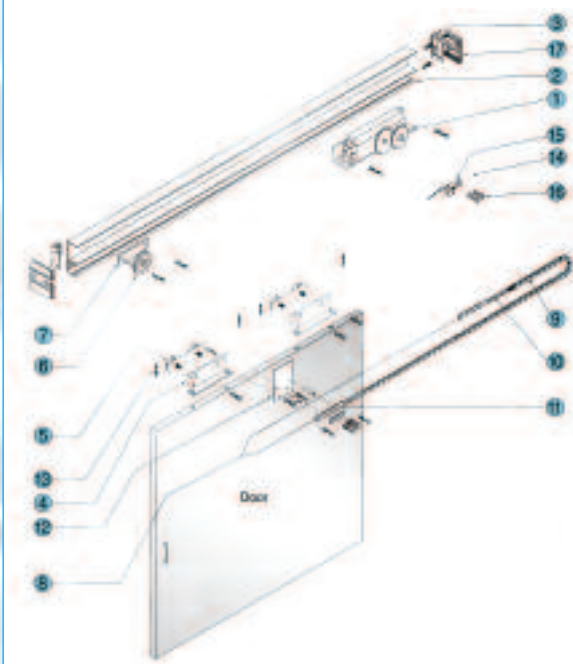
Daihatsu innovative technology

The closing cycle is controlled by a hydraulic door closer engineered by Daihatsu NHN. This assured safe operation is thanks to Daihatsu's wealth of experience and expertise in door closer design and manufacture.

Adjustable Closing Speed

Closing speed can be regulated by 3 separate adjustment valves on the door closer, permitting safe traffic when closing. Non-critical thermostatic valves provide constant closing speed even under extreme temperatures.

Part details



1	Hydraulic closer assembly	10	Chain spring
2	Rail	11	Wire chain connector
3	Corner bracket	12	Bracket
4	Door hanger	13	Hex. bolt M8 x 25 (inc. washer)
5	Hanger roller	14	Hold open unit
6	Idler pulley	15	Bolt M8 x 19
7	Pulley bracket	16	Hex. nut M8 (inc. washer)
8	Wire	17	Corner piece
9	Roller chain		

Single Sliding		
Installation type	Model name	Door weight (kg)
Surface-mounted (with a cover)	SCA-20	20
	SCA-30	30
	SCA-50	50
	SCA-80	80
	SCA-80U	100
Built-in (in a sash)	SCA-30	30
	SCA-50	50
	SCA-80	80
Heavy (flat bar)	SCF-80U	100
	SCF-120	120
	SCF-200	200
	SCF-200U	250
Double Sliding		
Surface-mounted (with a cover)	SCA-50D	25x2
	SCA-80D	40x2
Built-in (in a sash)	SCB-50D	25x2
	SCB-80D	40x2
Dual Sliding		
Telescopic (flat bar)	SCF-30-2SD	15x2
	SCF-50-2SD	25x2
	SCF-80-2SD	40x2
	SCF-80U-2SD	50x2
	SCF-120-2SD	60x2
	SCF-200-2SD	80x2
	SCF-200U-2SD	95x2



Daihatsu's technology



3 sectional closing speed adjustment



Dual doors of up to 190kg



Interlocking bi-parting doors

Please contact us for further information

KENWA

KENWA
Open to new possibilities

UK/European Office
The Grainger Suite | Regent Centre | Gosforth
Newcastle upon Tyne | NE3 3PF | UK
tel: **+44 (0)191 233 6323**
fax: **+44 (0)191 284 0222**
email: **info@kenwa.co.uk**

Head Office - Japan
12th Floor | Tower West | Umeda Skybuilding 1-30
Oyodonaka 1-Chome | Kita-ku Osaka 531-0076
Japan

tel: **(0081) 6 6 454 9721**
fax: **(0081) 6 6 454 9726**
email: **info@kenwa.co.jp**



Distributed by:

NSC & SCA Series

Semi-automatic sliding door system



Unique, simple innovation for sliding door operation

- Smooth & controlled
- Silent operation
- Compact & concealed

KENWA
Open to new possibilities

