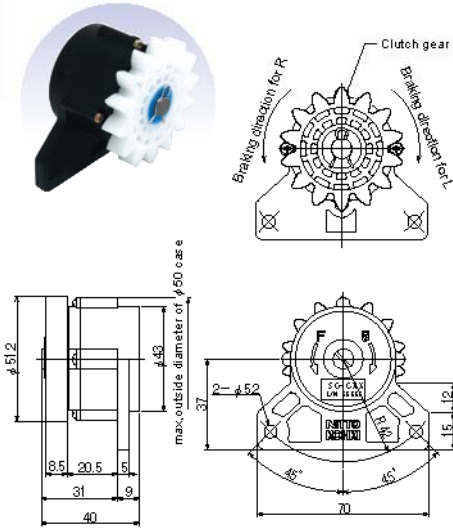
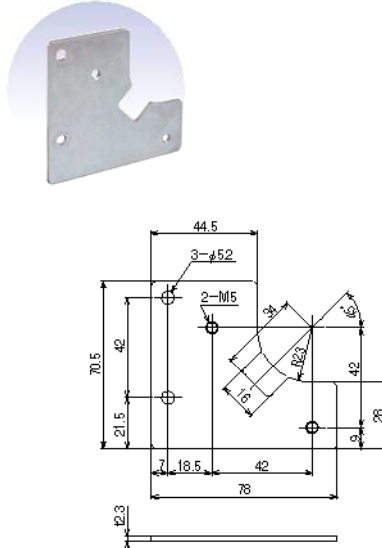


Control device SC-C15



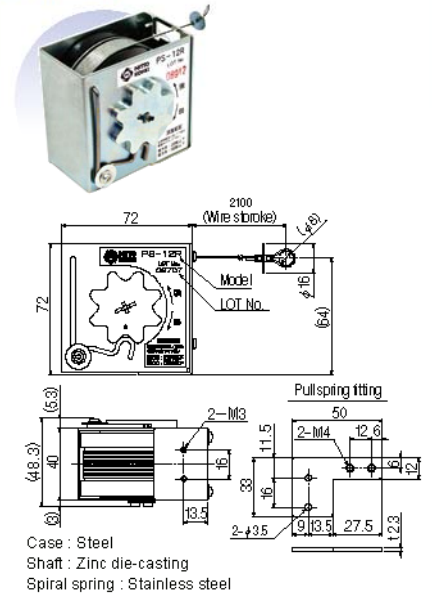
Shaft : Stainless steel
Case : Polyacetal
Clutch gear : Polyacetal

control device bracket



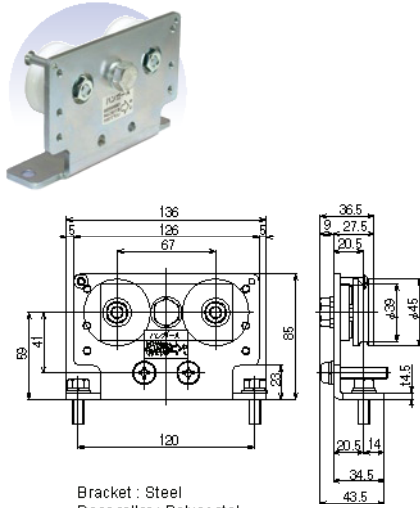
Bracket : Steel

Pull spring PS-12



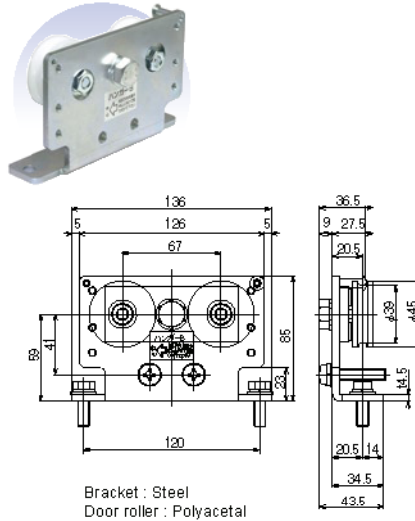
Case : Steel
Shaft : Zinc die-casting
Spiral spring : Stainless steel

HungerA



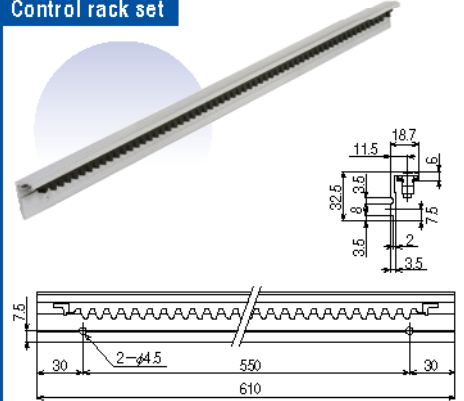
Bracket : Steel
Door roller : Polyacetal

HungerB



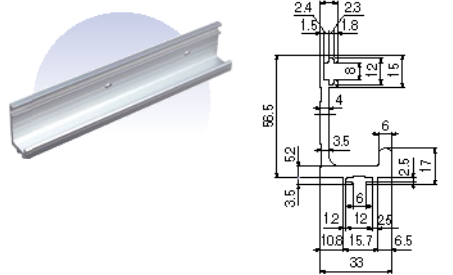
Bracket : Steel
Door roller : Polyacetal

Control rack set



Control rack : Nylon
Rack retainer : Steel
Noise suppression rubber : Nitrile rubber

Rail

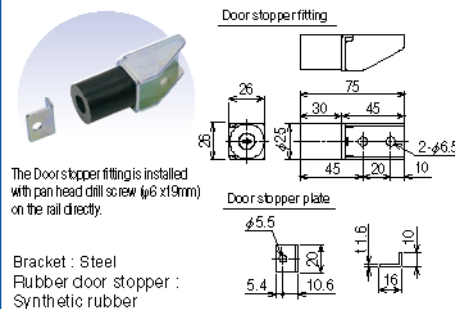


Standard dimensions 2200 or 3100
300 pitches X 7=2100 (300 pitches X 10=3000)

Note : The dimensions in [] apply when 3.1m rail used.

Rail : Aluminum section (Alumite-treated)

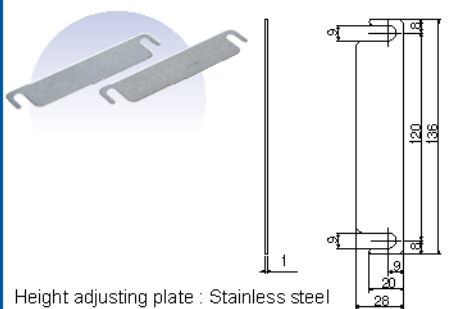
Door stopper fitting



The Doorstopper fitting is installed with pan head drill screw ($\phi 6 \times 19\text{mm}$) on the rail directly.

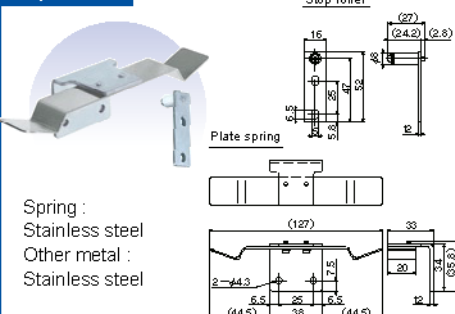
Bracket : Steel
Rubber door stopper : Synthetic rubber

Height adjusting plate



Height adjusting plate : Stainless steel

Stop device



Spring : Stainless steel
Other metal : Stainless steel

Guide roller (Option)

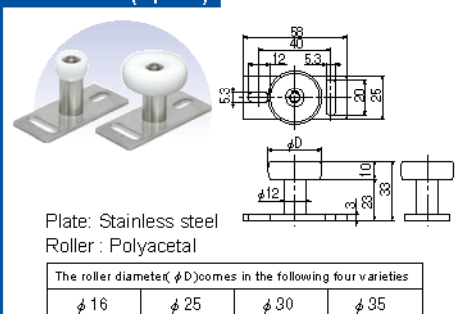
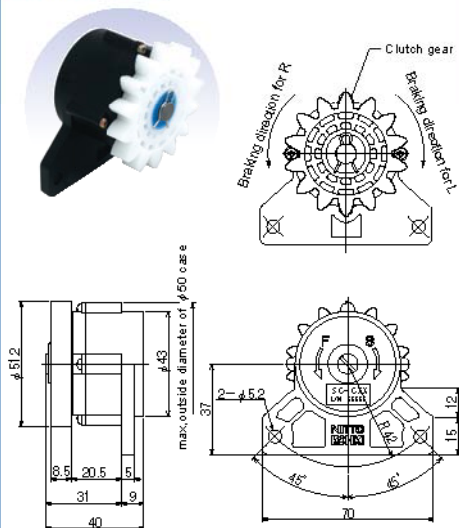


Plate : Stainless steel
Roller : Polyacetal

The roller diameter (ϕD) comes in the following four varieties

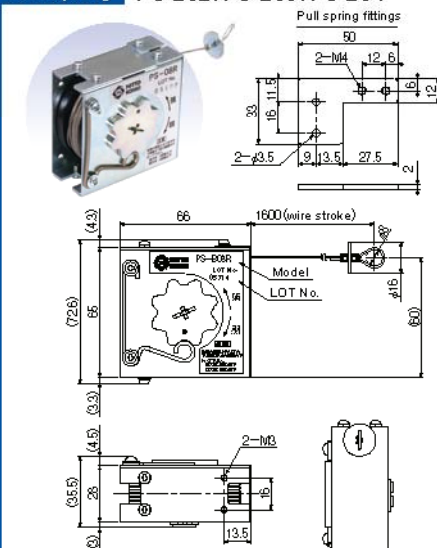
$\phi 16$	$\phi 25$	$\phi 30$	$\phi 35$
-----------	-----------	-----------	-----------

Control device SC-CB03/SC-CB08



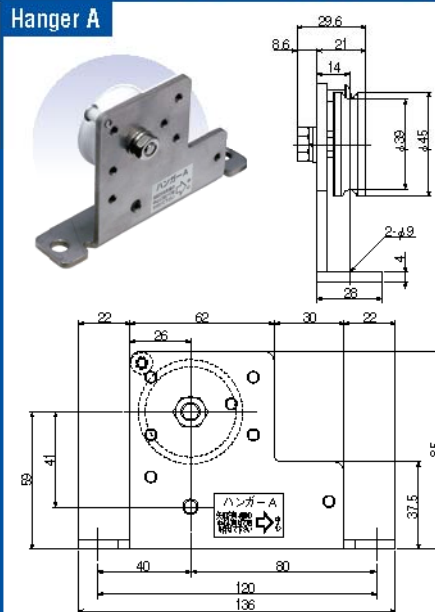
Shaft : Stainless steel
Case : Polyacetal
Clutch gear : Polyacetal

Pull spring PS-B02/PS-B03/PS-B04



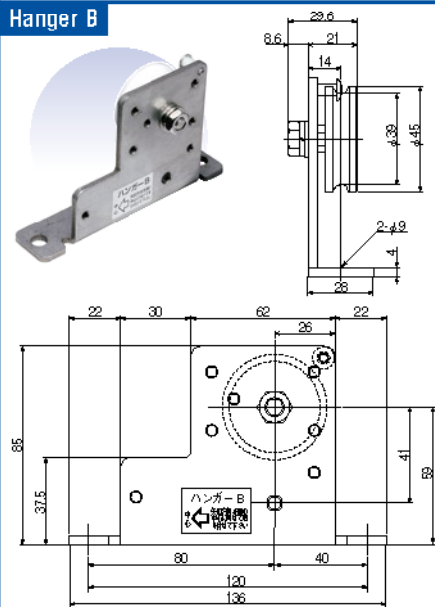
Case : Stainless steel
Shaft : Zinc die-casting
Spiral spring : Stainless steel

Hanger A



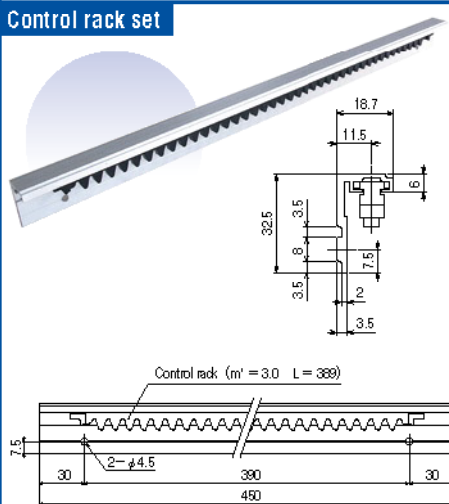
Bracket : Stainless steel
Door roller : Polyacetal

Hanger B



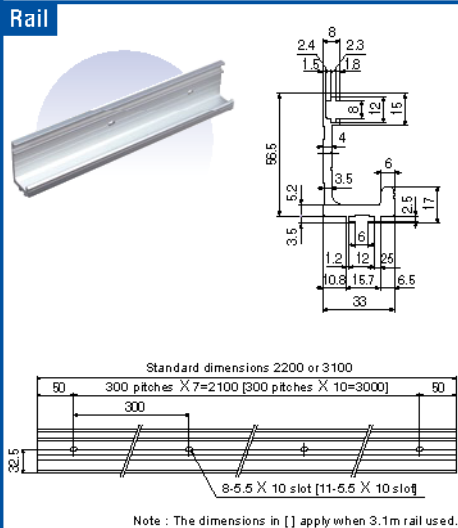
Bracket : Stainless steel
Door roller : Polyacetal

Control rack set



Control rack : Nylon
Rack retainer : Stainless steel
Noise suppression rubber : Nitrile rubber

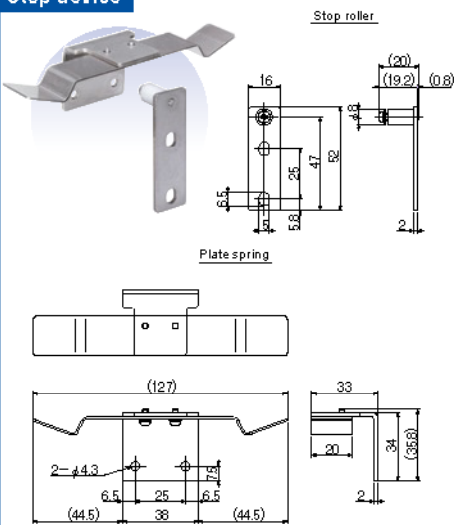
Rail



Note : The dimensions in [] apply when 3.1m rail is used.

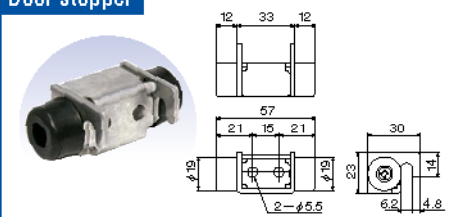
Rail : Aluminum section (Alumite-treated)

Stop device



Spring : Stainless steel
Other metal : Stainless steel

Door stopper



Bracket : Stainless steel
Rubber door stopper : Synthetic rubber

Guide roller (Option)

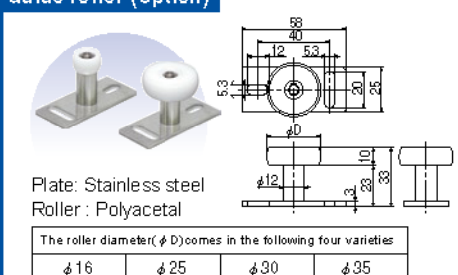
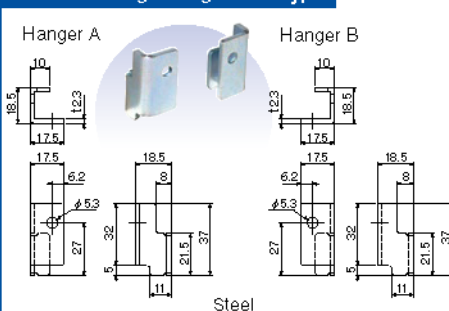


Plate : Stainless steel
Roller : Polyacetal

The roller diameter (φ D) comes in the following four varieties

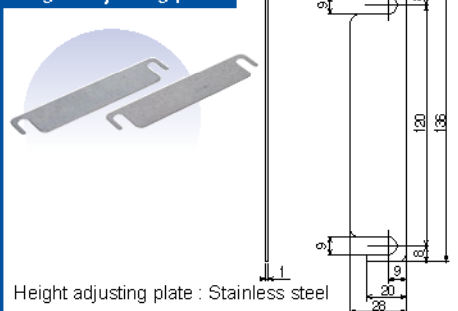
φ 16	φ 25	φ 30	φ 35
------	------	------	------

Door retaining fitting for CB type



Steel

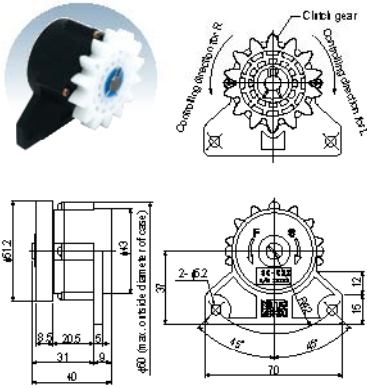
Height adjusting plate



Height adjusting plate : Stainless steel

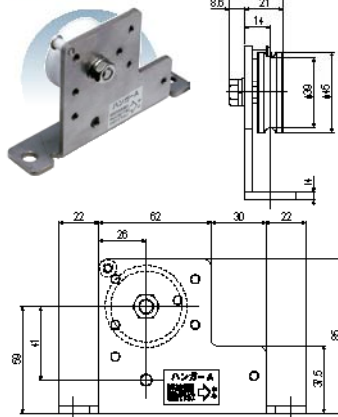
List of parts NSC-C/DSC-C

Control device



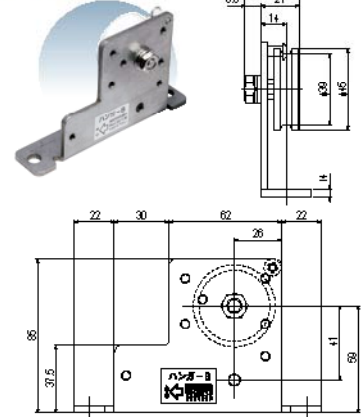
Shaft: Steel
Case: Polyacetal
Clutch gear: Polyacetal

Hanger A



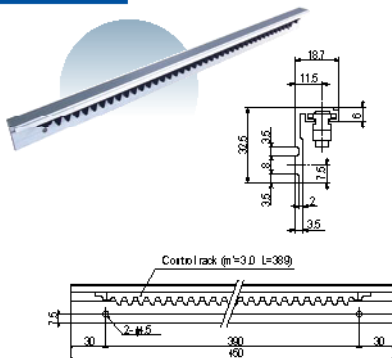
Bracket: Steel
Door roller: Polyacetal

Hanger B



Bracket: Steel
Door roller: Polyacetal

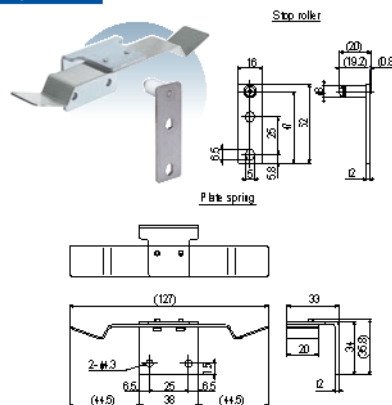
Control rack set



Control rack: Nylon
Rack retainer: Steel
Noise suppression rubber: Nitrile rubber

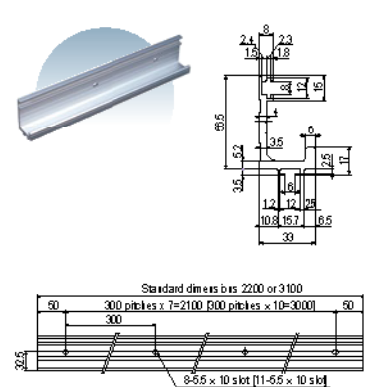
*The cross section is an enlarged view.

Stop device



Spring: Stainless steel
Other metal: Steel

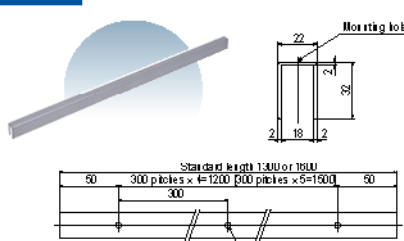
Rail



Rail: Aluminum section (aluminite-treated)

*The cross section is an enlarged view

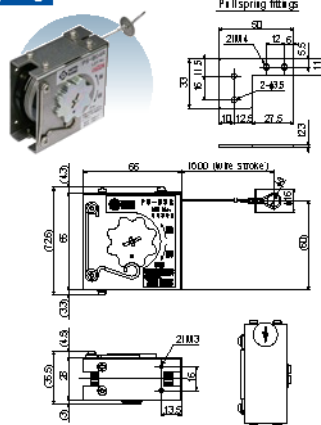
Guide rail



Guide rail: Aluminum section (aluminite-treated)

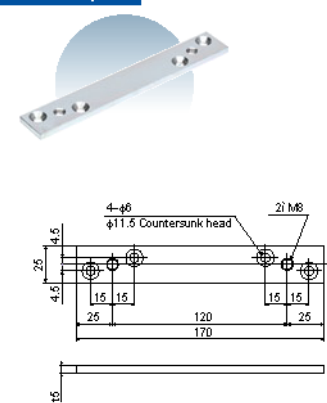
*The cross section is an enlarged view.

Pull spring

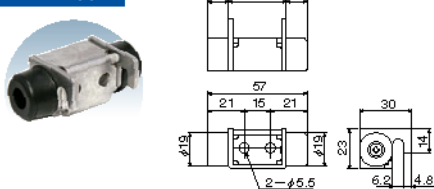


Case: Steel
Shaft: Zinc die-casting
Spiral spring: Stainless steel

Wooden door plate

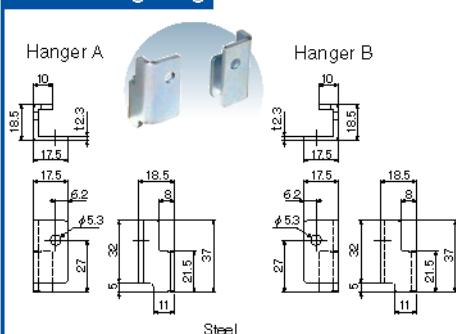


Door stopper



Bracket: Stainless steel
Rubber door stopper: Synthetic rubber

Door retaining fitting



Steel

Guide roller

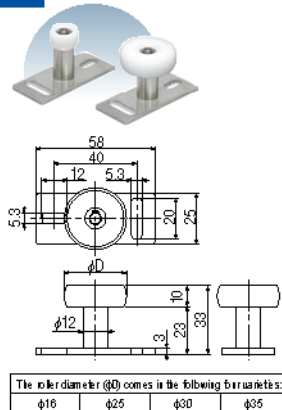


Plate: Stainless steel
Roller: Polyacetal

Height adjusting plate

